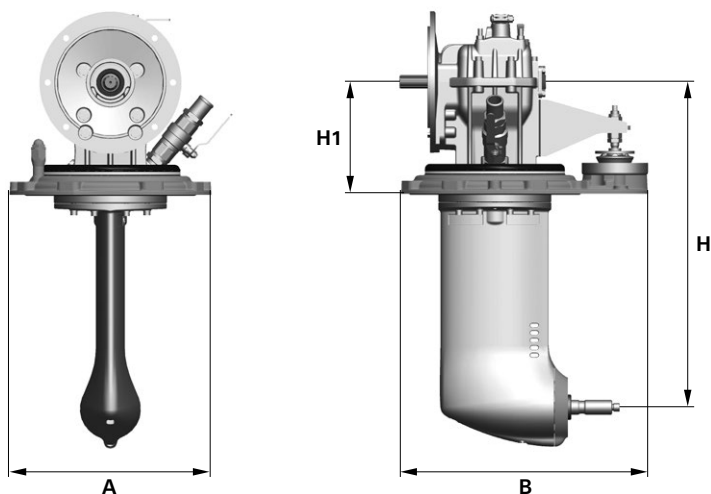


Technical data

Model	Clutch type		Type	Ratios	Power factor		Input Power 3200 rpm		Capacity 3600 rpm		Max. rpm
	mecha- nical	hydrau- lical			steerable (SPP)	kW/rpm	hp/rpm	kW	hp	kW	
ZF SD 10	●			2.23	0.0153	0.0208	50	67	55	75	3800
				2.49	0.0153	0.0208	50	67	55	75	
ZF SD 12	●			2.23	0.0188	0.0256	60	82	68	92	3800
				2.49	0.0188	0.0256	60	82	68	92	
ZF SD 12 SPP		●	●	2.23	0.0188	0.0256	60	82	68	92	3600
				2.49	0.0188	0.0256	60	82	68	92	



Model	Clamp ring flange dia. – A		Clamp ring flange dia. – B		Drop H		Height H1		Weight	
	mm	inch	mm	inch	mm	inch	mm	inch	kg	lb
ZF SD 10	378	15	463	18	605	24	210	9	40	88
ZF SD 12	378	15	463	18	605	24	210	9	40	88
ZF SD 12 SPP*	550	22	650	26	803	32	295	12	120	265

* Dimensions and weight could vary.